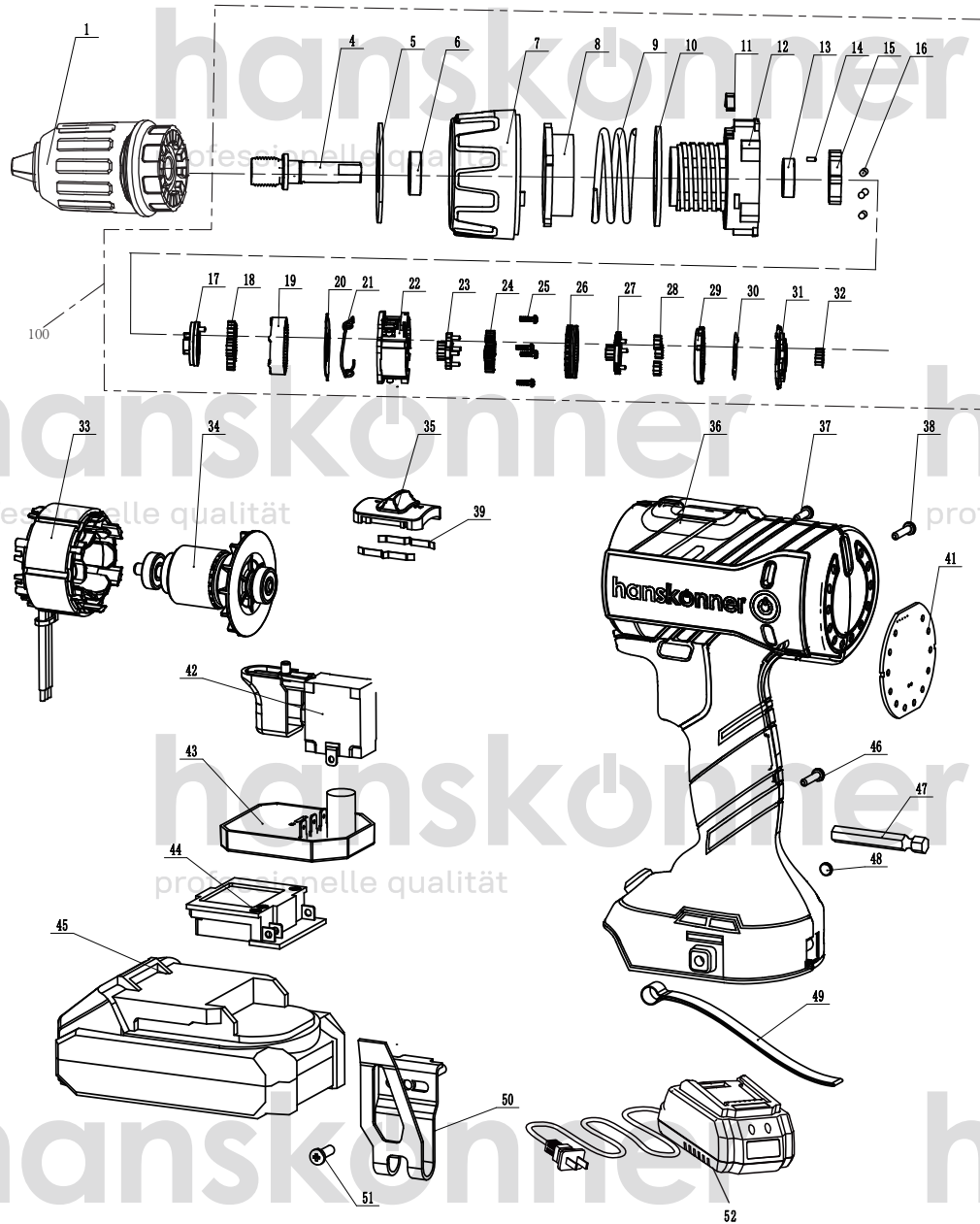


hanskonner

professionelle qualität

HCD1865C



NO.	DESCRIPTION	NO.	DESCRIPTION
1	CHUCK	27	THE FIRST PLANET CARRIER
4	SPINDLE	28	THE FIRST PLANET GEAR
5	PRESS BOARD	29	THE FIRST GEAR RING
6	BEARING	30	WASHER
7	TORQUE RING	31	MOTOR PRESS BOARD
8	BIG NUT	32	MOTOR GEAR
9	SPRING	33	STATOR
10	SPRING WASHER	34	ROTOR
11	SHRAPNEL	35	TWO SPEED CHANGE BOARD
12	FRONT GEAR BOX	36	HOUSING
13	BEARING	37	SCREW
14	PIN	38	SCREW
15	SPINDLE LOCK RING	39	SPRING
16	BALL	41	DISPLAY BOARD
17	THE THIRD PLANET CARRIER	42	SWITCH
18	THE THIRD PLANET GEAR	43	BRUSHLESS MOTOR CONTROLLER
19	INNER GEAR RING	44	CONNECTION BOARD
20	BIG WASHER	45	BATTERY PACK
21	SHIFT WIRE	46	SCREW
22	REAR GEAR BOX	47	SCREW BIT
23	THE SECOND PLANET CARRIER	48	MAGNET
24	THE SECOND PLANET GEAR	49	SLING
25	SCREW	50	BUCKLE
26	MOVING GEAR RING	51	SCREW
		52	CHARGER
		100	GEAR BOX ASSEMBLY

HCD1865C- EX-RUS220913